

SIMPLEX®

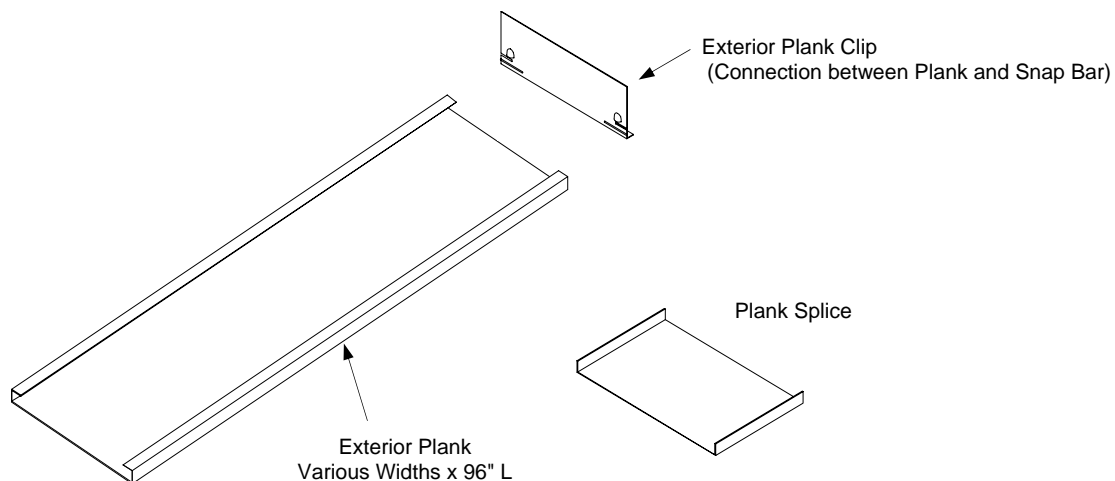
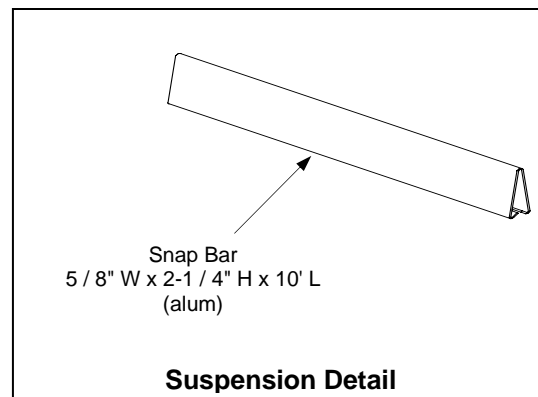
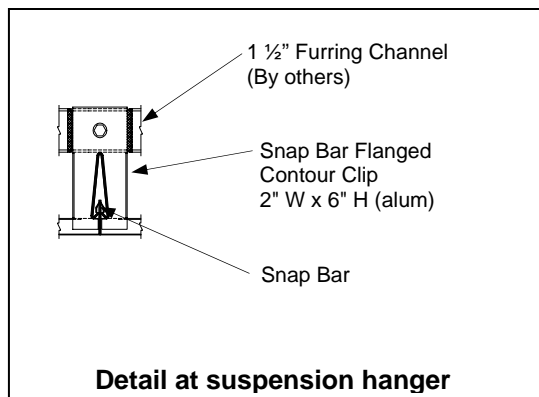
CEILINGS

255 Montpelier, St. Laurent
(Montreal) QC, Canada H4N 2G3
Tel: (800) 638-5726 Fax (514) 744-2716
www.simplexceilings.com

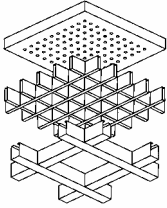
Specifications

Exterior Planks Series

- Panels:** Provide Simplex Ceilings Exterior Plank system by Intalite Inc. manufactured from {0.032" (0,81 mm), 0.040" (1,016 mm)} thick aluminum. Plank dimensions will be as shown on drawings. Planks are to be [un-perforated, perforated using pattern #___ with a {standard, ___ in. un-perforated border}]. Planks are to have {butt joints, 1" recessed filler strips}.
- Finish:** Select from Simplex Ceilings' standards. Custom colors available upon request.
- Suspension:** Suspension shall be Exterior Snap Bar, to be attached to 1 ½" furring channel with Snap Bar Hangers or Snap Bar Flanged Contour Clips. Planks are to be attached to Exterior Plank Clips, which are snapped into the Snap Bar. For exterior use, maximum spacing for Snap-Bars is to be 24" o/c.
- Perimeter:** Provide Exterior Planks Box Mould with Hold Down clips as required in finish to match panels.
- Acoustical:** For perforated panels, provide 1 ½" (38mm) thick x ¾ lb./cu ft (12 kg/cu m) density glass wool fiber completely sealed in a black incombustible (Class A) bag. Alternatively, provide Simplex "T" non-woven acoustical liner laminated to back of perforated panel.
- Accessibility:** System can be provided with access door.
- Standard Sizes:** 6" x 96" 8" x 96" 12" x 96" 24" x 96" (Other custom sizes available upon request.)



Specification subject to change without notice



SIMPLEX[®]

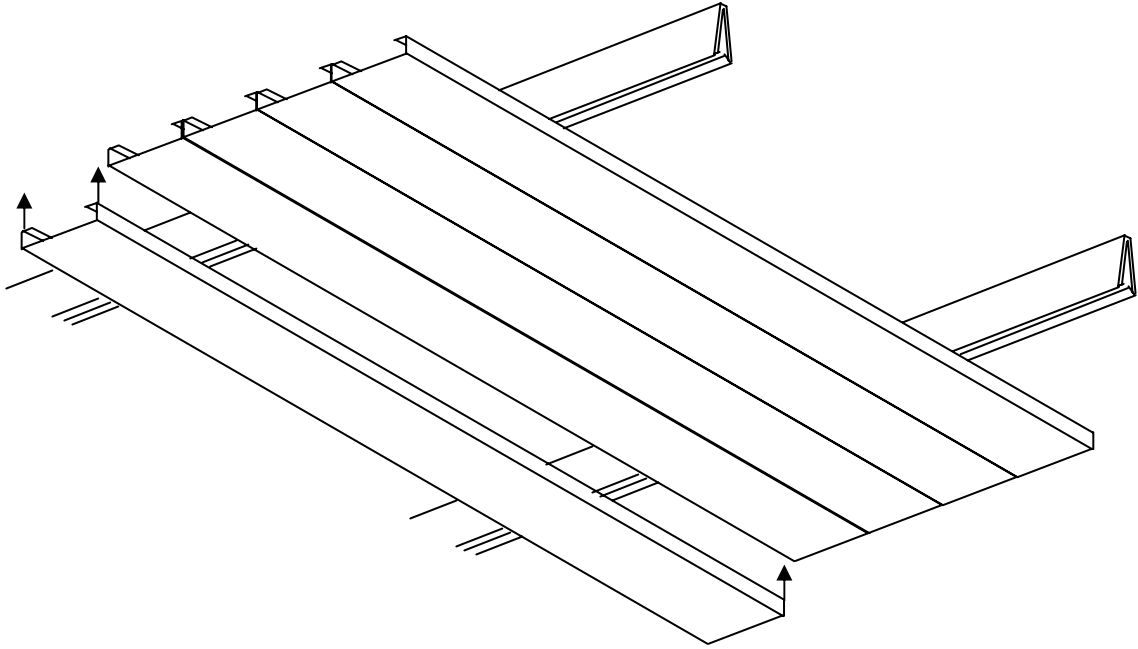
CEILINGS

255 Montpelier, St. Laurent
(Montreal) QC, Canada H4N 2G3
Tel: (800) 638-5726 Fax (514) 744-2716
www.simplexceilings.com

Specifications

Typical Detail

Exterior Plank System, Butt Joints



Planks Clips are inserted into the Planks, then Plank assembly locks securely into Snap Bar